



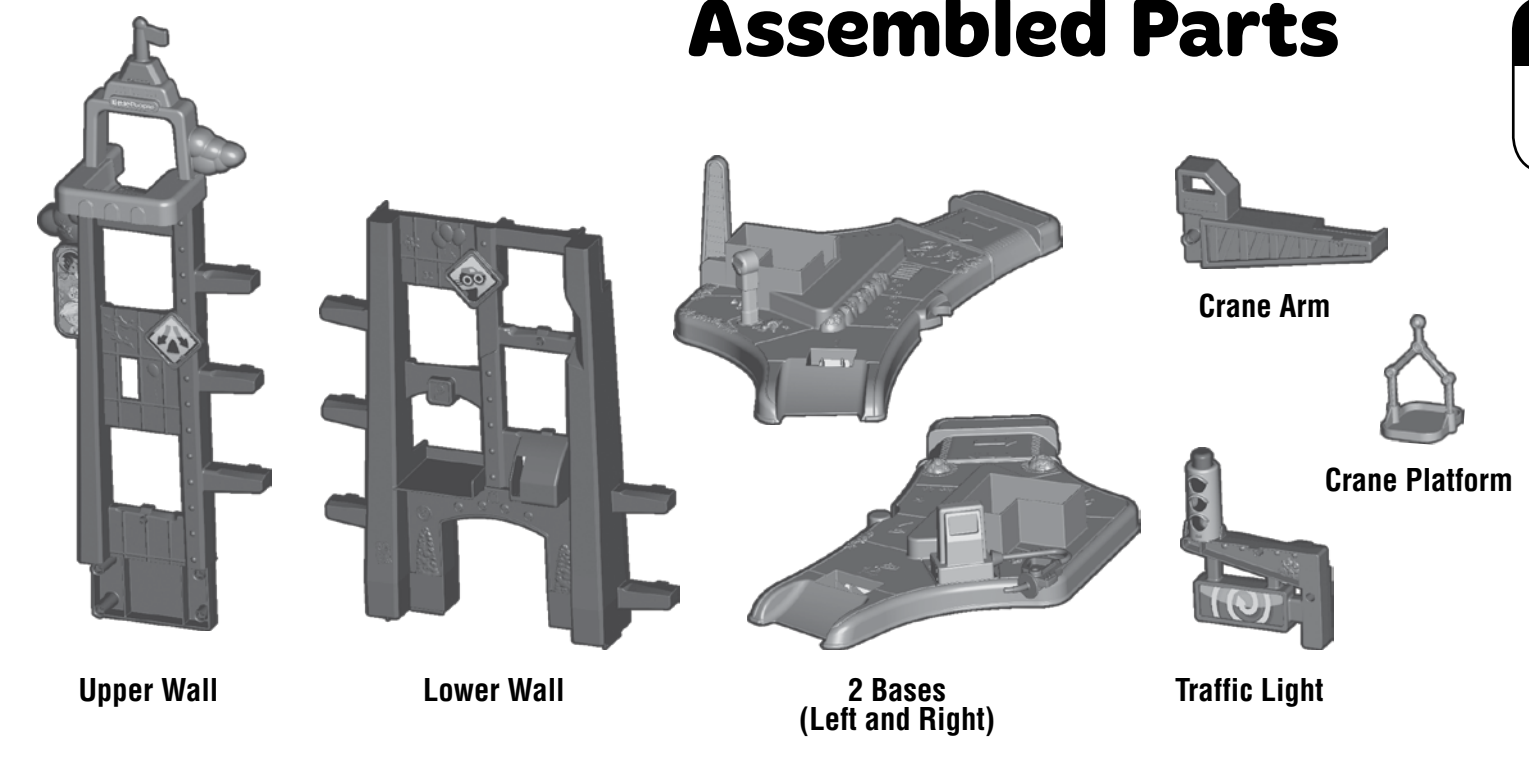
Keep these instructions for future reference as they contain important information.

Adult assembly required. Required tool: Phillips screwdriver (not included).

Periodically wipe each part of this toy with a clean damp cloth.

fisher-price.com

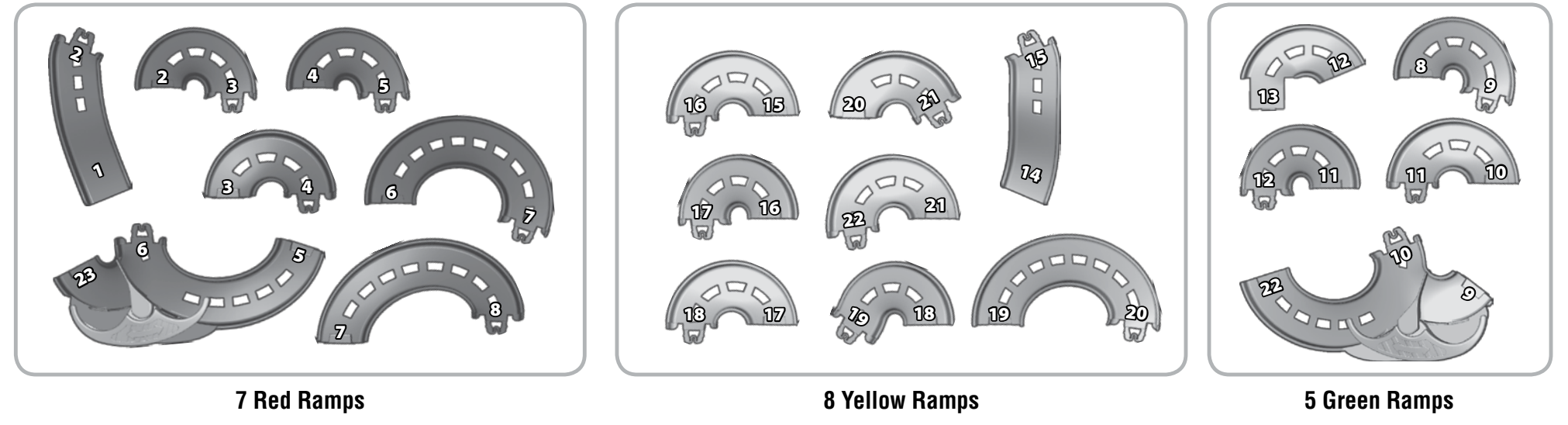
### Assembled Parts



**CAUTION**  
This package contains small parts. For adult assembly only.

8 mm x 16 mm Washer Head Screw - 20

**SHOWN ACTUAL SIZE**  
Tighten all screws with a Phillips screwdriver. Do not over-tighten.



Note: Since ramp labeled 12-13 is assembled to the top of the toy and ramp 14-15 is assembled to the bottom of this toy, there isn't a ramp labeled 13-14.

**CONSUMER ASSISTANCE**  
1-800-432-5437 (US & Canada)  
1300 135 312 (Australia)

**service.fisher-price.com**

Fisher-Price, Inc., 636 Girard Avenue, East Aurora, NY 14052.  
Hearing-impaired consumers: 1-800-382-7470.

**Outside the United States:**  
Canada: Mattel Canada Inc., 6155 Freemont Blvd., Mississauga, Ontario L5R 3W2; www.service.mattel.com.  
Great Britain: Mattel UK Ltd, Vanwall Business Park, Maidenhead SL6 4UB. Helpline: 01628 500303. www.service.mattel.com/uk  
Mattel Europa B.V., Gondel 1, 1186 MJ Amstelveen, Nederland.  
Australia: Mattel Australia Pty. Ltd., 658 Church Street, Locked Bag #870, Richmond, Victoria 3121 Australia.  
New Zealand: 16-18 William Pickering Drive, Albany 1331, Auckland.

## Assembly

### Helpful Hints



- Ramps are labeled with numbers! When you see this icon, find the ramp with the matching numbers.
- Insert screw(s) and tighten when you see this icon!
- Push to "snap" the part in place when you see this icon!
- Hook the end of the ramp onto the tab when you see the curvy arrow!

**Watch an assembly video!**

Scan the QR code or go to [fisher-price.com](http://fisher-price.com) and enter the product number in the Search for products field!

1. Attach the Upper Wall to the Lower Wall.
2. Attach the Crane Arm to the Crane Platform.
3. Attach the Traffic Light to the Crane Platform.
4. Attach the 2 Bases (Left and Right) to the tower.
5. Attach the Crane Arm to the Crane Platform.
6. Attach the Crane Platform to the tower.
7. Attach the Crane Arm to the Crane Platform.
8. Attach the Crane Platform to the tower.
9. Turn the tower to the front.
10. Push the bases into the tower.
11. Turn the tower to the back.
12. Attach the 2 Bases (Left and Right) to the tower.
13. Attach the 8 Yellow Ramps to the tower.
14. Attach the 7 Red Ramps to the tower.
15. Attach the 5 Green Ramps to the tower.



# Assembly

